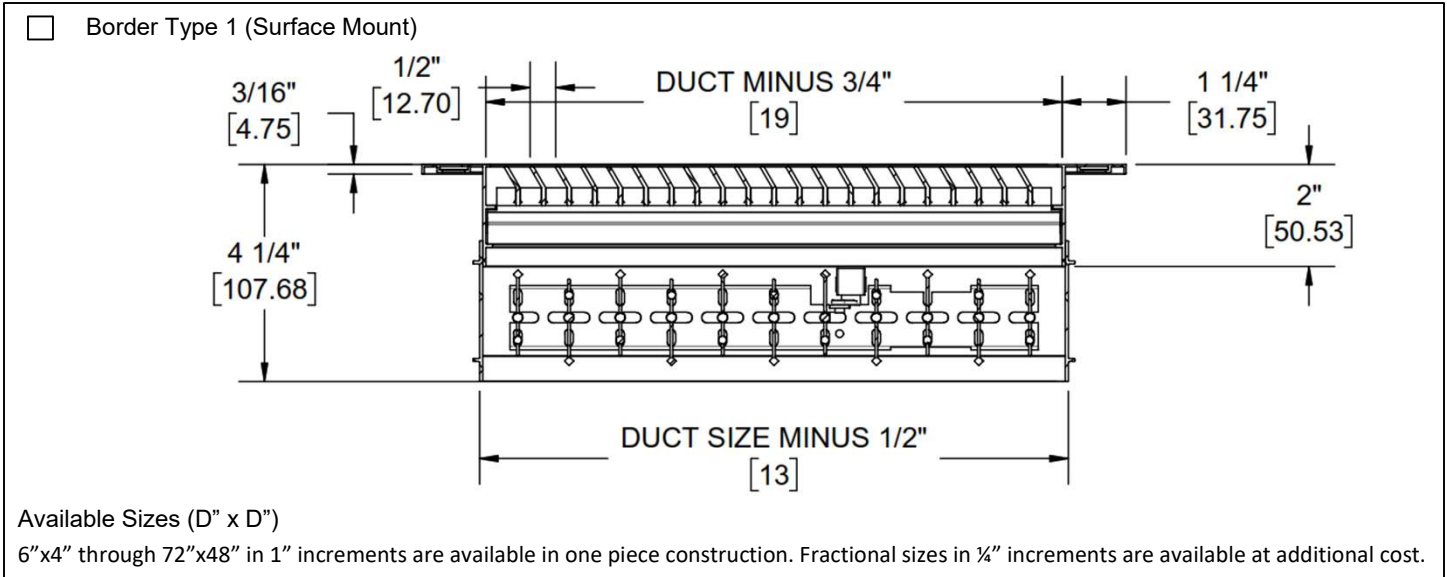
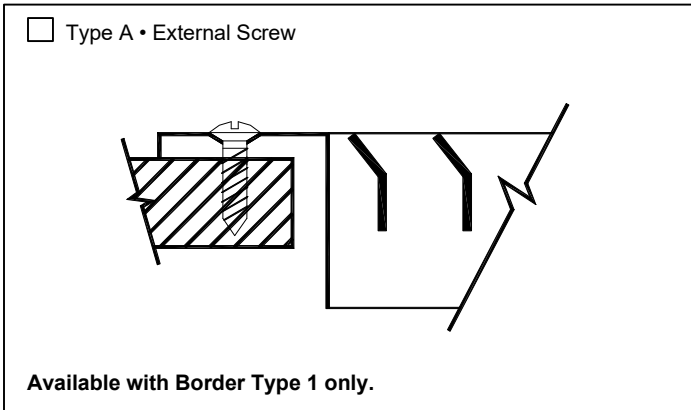


Bar Return • Heavy Duty Gym Grille Aluminum

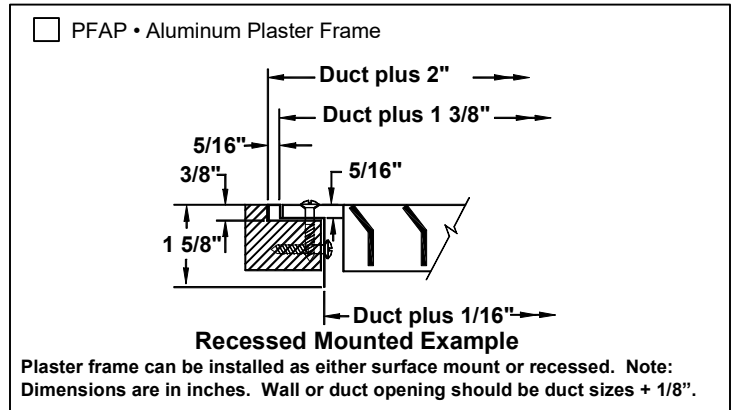
Models: 63FL • 30° Deflection • Long Blades • 1/2" Blades Spacing
63FS • 30° Deflection • Short Blades • 1/2" Blades Spacing



Fastenings



Mounting Frames



Accessories (Optional) Check if provided.

- Neck mounted opposed blade damper (galvanized steel)
- DS • Debris Screen (1/4" square mesh – galvanized steel)
- IS • Insect Screen (1/16" square mesh – galvanized steel)
- Other: _____

Standard Finish: #26 White

Other Finish: _____

General Description

- Models 60FL and 60FS are for use in locations where an unusually strong, impact resistant return grille is required.
- One set of 30° fixed blades.
- Support bars 6" on center.
- Material is extruded aluminum.
- Optional opposed blade damper has slide adjustment accessible at face of grille.
- Plaster frame must be ordered as a separate line item.

This submittal is meant to demonstrate general dimensions of this product. The drawings are not meant to detail every aspect of the product. Drawings are not to scale. Titus reserves the right to make changes without written notice.